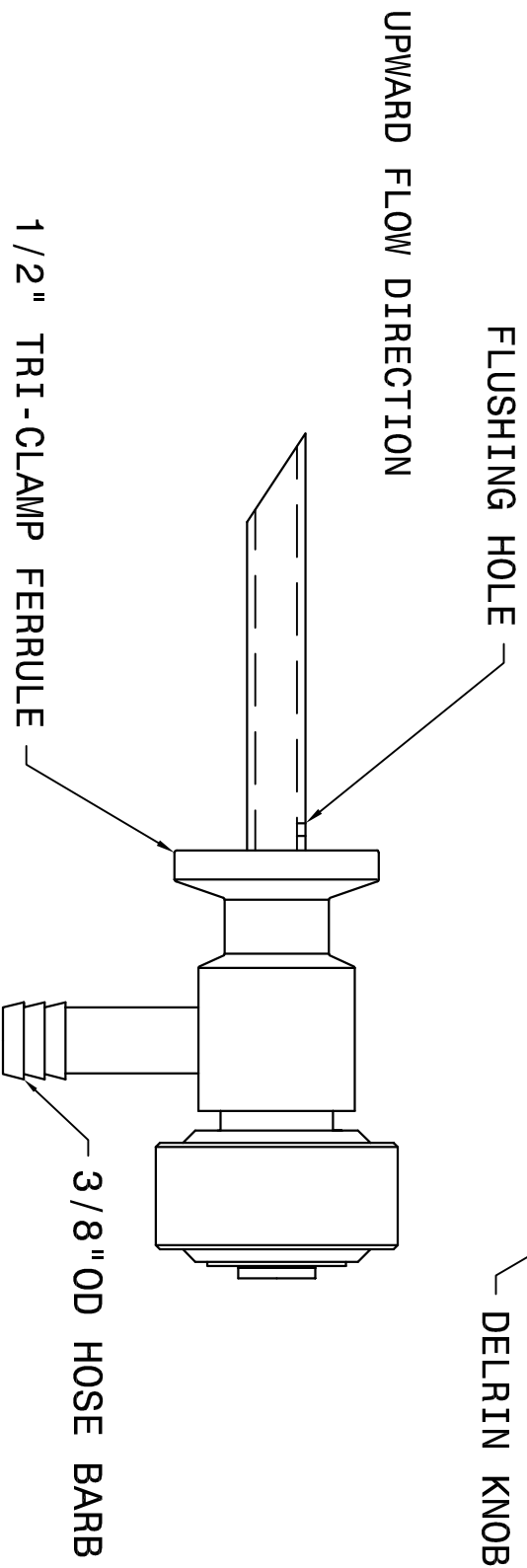
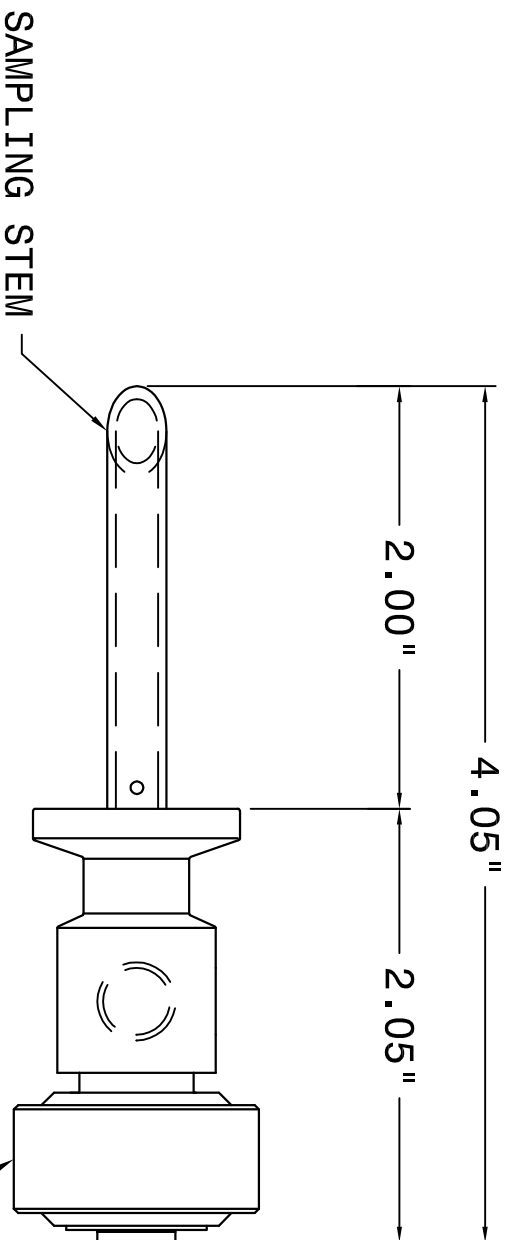


Authorized Distributor



970 Calle Negocio
 San Clemente, CA 92673
 info@clearsolutionscorp.com
 (949) 429-8922 ph
 www.clearsolutionscorp.com

Process Filtration and Fluid Handling Products



SPECIFICATIONS:
 316L STAINLESS STEEL
 SURFACE FINISH <20 Ra
 300 PSI @ 200 DEG F
 SEAL PLUG: TEFLON (PTFE)
 O-RING: FDA SILICONE

REV	DATE	DESC	APPROVED
1	-		
<p><i>DRAIN BY: R/B</i></p> <p>This drawing represents an investment by Optimum Filter, Inc. of substantial sums including our engineering skill and experience and it is therefore loaned without other consideration than the agreement and condition that it is not to be reproduced, copied, or otherwise disposed of, directly or indirectly, and is not to be used in whole or in part to assist in making or to furnish any information to others for the making of drawings, the prints, apparatus, or parts thereof. The acceptance of the drawing will be construed as an acceptance of the foregoing conditions, and as an admission of the exclusive ownership in and to the drawing of Optimum Filter.</p>			
<p>SANITARY SAMPLING VALVE 1/2" TRI-CLAMP 90° 2"EXT PART NO. OFSV90F-2EXT-UP</p>			<p>DWG. NO.: OFSV90F-1-2EXT-UP</p>
			SHEET: 1